



## FEATURES

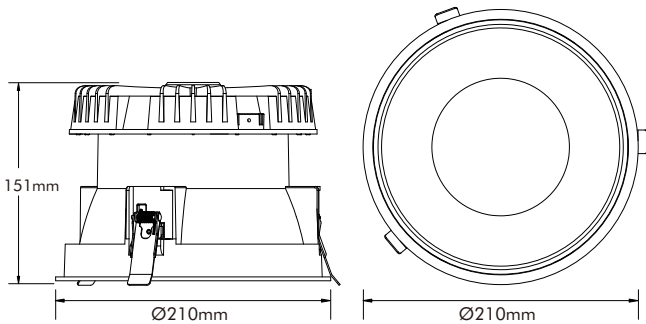
- Modular Design.
- System power up to 40W.
- Interchangeable beam.
- Interchangeable anti-glare reflector.
- 5-year guarantee.

## Technical Data

Input Voltage/Hz	AC200-240V 50/60Hz
Output Voltage/Current	DC36V/850mA
Power	35W
Rated Input Current	0.175A
PF value	>0.9
THD	<15%
Ingress Protection	IP54
Operating Temperature	-10-40°C
Dimmability	Non-dimmable or DALI

## Optical Data

LED Brand	Bridgelux COB LED
CRI	Ra > 90
SDCM	<3
Beam Angle	15°/24°/36°/60°
Colour temperature	2700k/3000K/4000K
System luminous efficacy up to	98.5lm/W



Cut-out: Ø200mm

## Packaging

Box Dimensions	L250 x W250 x H185mm
Box Net Weight	1.97Kg
Box Gross Weight	2.33Kg
Carton Dimensions	L515 x W515 x H395 mm/8 PCS
Carton Net Weight	15.76Kg
Carton Gross Weight	19.67Kg

Model	CCT	Beam Angle	Lumen	Efficacy	CRI R-Value	Life Rating
LS51-35-XX-01	2700K	15°	2912lm	86.5lm/W	R9=66	35W > 105000H L90 B10
		24°	2795lm	83lm/W	R9=66	35W > 105000H L90 B10
		36°	2931lm	85.6lm/W	R9=65	35W > 105000H L90 B10
		60°	2567lm	76.2lm/W	R9=69	35W > 105000H L90 B10
LS51-35-XX-01	3000K	15°	3111lm	92.5lm/W	R9=72	35W > 105000H L90 B10
		24°	3010lm	89.5lm/W	R9=71	35W > 105000H L90 B10
		36°	3059lm	90.8lm/W	R9=71	35W > 105000H L90 B10
		60°	2764lm	81.7lm/W	R9=75	35W > 105000H L90 B10
LS51-35-XX-01	4000K	15°	3308lm	98.5lm/W	R9=69	35W > 105000H L90 B10
		24°	3181lm	94.5lm/W	R9=69	35W > 105000H L90 B10
		36°	3241lm	96.3lm/W	R9=69	35W > 105000H L90 B10
		60°	2918lm	86.7lm/W	R9=73	35W > 105000H L90 B10